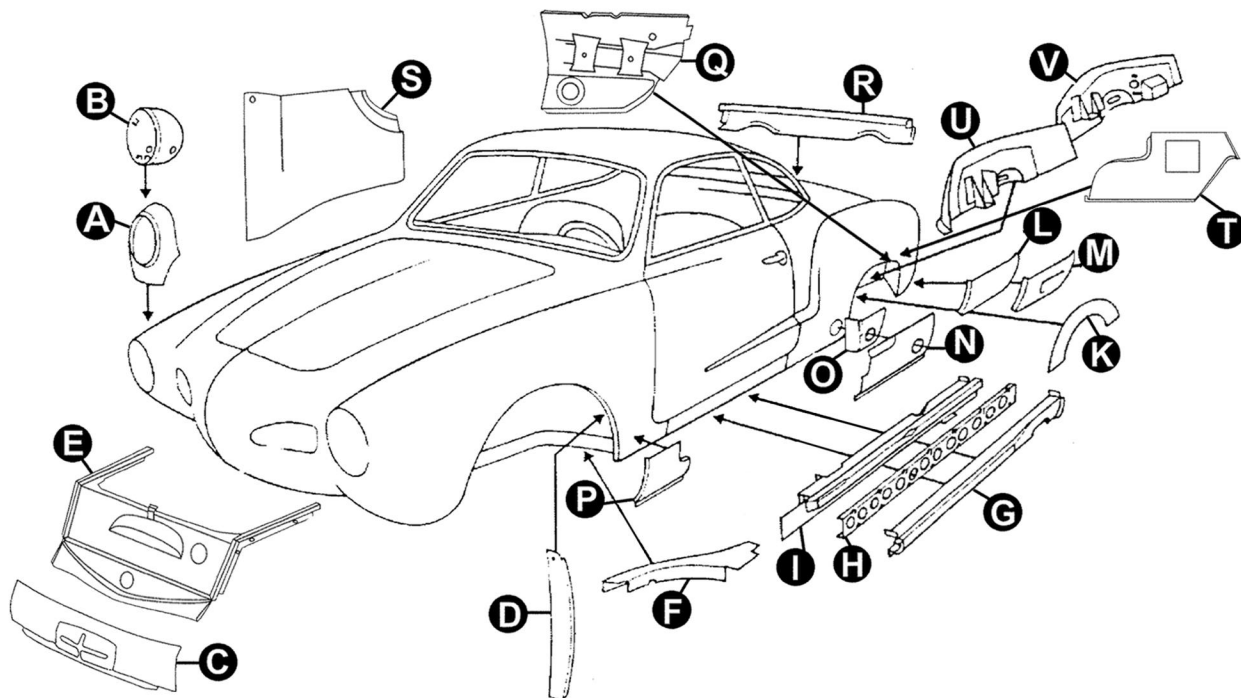


Karmann Ghia



Part Number	Description	Years
A TAB-404-211	Headlight Section, Left	60-74
A TAB-404-212	Headlight Section, Right	60-74
B VWC-141-809-145	Headlight Bucket Left or Right	56-74
C TAB-404-000	Lower Front Panel, 10"H x 36"W	56-74
D VWC-141-805-377	Door Hinge Pillar Cover, Left	56-67
D VWC-141-805-378	Door Hinge Pillar Cover, Right	56-67
D VWC-141-805-377-A	Door Hinge Pillar Cover, Left	68-74
D VWC-141-805-378-A	Door Hinge Pillar Cover, Right	68-74
E VWC-141-805-583	Front Panel, Inner Lower Section	56-74
F VWC-141-801-047	Support Floor to Fender Well, Left	69-74
F VWC-141-801-048	Support Floor to Fender Well, Right	69-74
G TAB-404-421	Rocker Panel O.E Type, Left	56-74
G TAB-404-422	Rocker Panel O.E Type, Right	56-74

Part Number	Description	Years
H VWC-141-801-131	Reinforcement Rail, Left or Right	58-74 CONV.
I VWC-141-801-041-B	Heater Channel, Left	56-74
I VWC-141-801-042-B	Heater Channel, Right	56-74
K TAB-404-510	Upper Rearwheel Arch	56-74
L TAB-404-531	Rear Quarter Lower Rear Section, Left	56-71
L TAB-404-532	Rear Quarter Lower Rear Section, Right	56-71
M TAB-404-521	Rear Quarter Lower Rear Section, Left	72-74
M TAB-404-522	Rear Quarter Lower Rear Section, Right	72-74
N TAB-404-501	Rear Quarter Front Section, Left	60-74
N TAB-404-502	Rear Quarter Front Section, Right	60-74
O TAB-404-541	Rear Quarter Inner Lower Front Section, Left	56-74
O TAB-404-542	Rear Quarter Inner Lower Front Section, Right	56-74
P TAB-404-221	Front Fender Lower Rear Section, Left	56-74

Part Number	Description	Years
P TAB-404-222	Front Fender Lower Rear Section, Right	56-74
Q VWC-141-800-715	Rear Fender Inner Rear Section, Left	56-74
Q VWC-141-800-716	Rear Fender Inner Rear Section, Right	56-74
R TAB-404-600	Lower Rear Panel (Apron)	56-74
S VWC-141-800-811	Rear Panel Outer Rear Section, Left	56-74
S VWC-141-800-812	Rear Panel Outer Rear Section, Right	56-74
T VWC-141-813-161	Battery Floor, Left	56-74
U TAB-400-541	Rear Wheel House, Left	56-67
U TAB-400-542	Rear Wheel House, Right	56-67
V TAB-400-551	Rear Wheel House, Left	68-74
V TAB-400-552	Rear Wheel House, Right	68-74